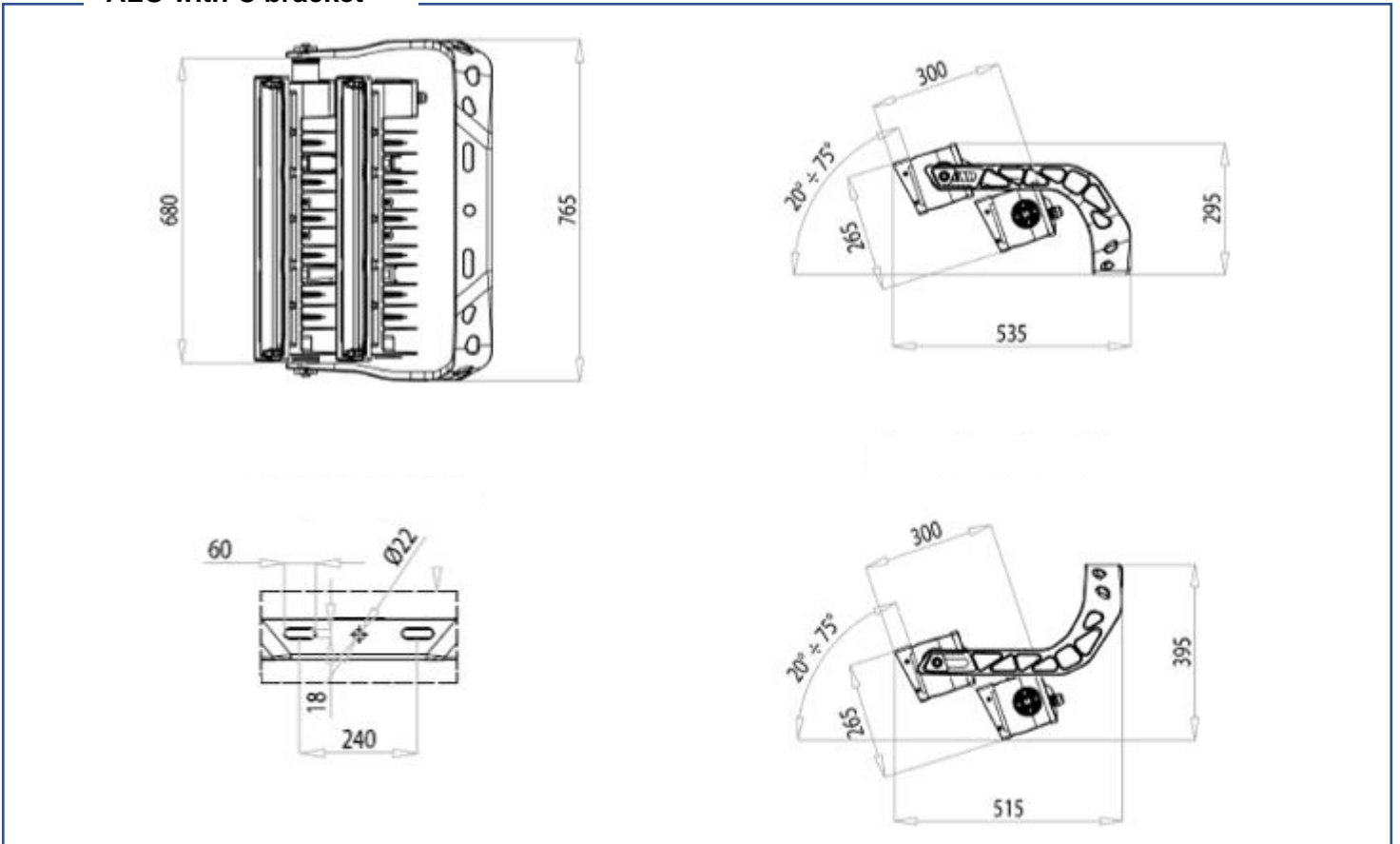


DIMENSIONAL DRAWINGS

ALO with C bracket



ALO with MICROMØVER

