



ALO

## ALO 3

### MAIN CHARACTERISTICS

<b>Applications</b>	Wide area lighting and sports facilities.
<b>Optic</b>	ASN: Asymmetric optic for projection, narrow emission. ASW: Asymmetric optic for projection, wide emission. BAC: Bidirectional asymmetric optic for projection, central emission. BAR/BAL: Bidirectional asymmetric optic for projection, right/left emission. Colour temperature: 4000K, 3000K   CRI ≥ 70 LED source efficiency: 180 lm/W @ 525mA, Tj=85°C, 4000K
<b>Insulation class</b>	I
<b>Grado di protezione</b>	IP66   IK08 total
<b>Tilt Angle</b>	C bracket: +20° ÷ +75° on horizontal plane with steps graduated in 5° controlled steps. Micro-adjustment with slots ±2.5° (0.5° step) for intermediate values to the main adjustment. MICROMOOVER: +20° ÷ +75° on horizontal plane. Micro-adjustment 0/+10° for intermediate values to the main setting. Adjustment on vertical axis: ±180°.
<b>Dimensions</b>	See the drawing
<b>Weight</b>	max 31 kg (excluded gear tray)
<b>Exposed surface</b>	Side: 0.09 m <sup>2</sup> – Top: 0.37 m <sup>2</sup> (excluded gear tray)
<b>Mounting</b>	Installation with C bracket or MICROMOOVER.
<b>Gear tray</b>	Remote. (Power supply size 500x150 H=120mm - Weight: 6 kg). Mounting over luminaire body with integrated flanges (optional only with C bracket).
<b>Operating temp.</b>	-40°C / +45°C
<b>Storage temperature</b>	-40°C / +80°C
<b>Main reference standards</b>	EN 60598-1, EN 60598-2-3, EN 60598-2-5, EN 62471, EN 55015, EN 61547, EN 61000-3-2, EN 61000-3-3



### ELECTRICAL CHARACTERISTICS

<b>Rated voltage</b>	220÷400V 50/60Hz (Standard tolerance +/-10%, other voltages and tolerances upon request)
<b>Power factor</b>	>0,9 (at full load)
<b>Flicker factor (FF)</b>	< 3%
<b>Mains connection</b>	On terminal block for cables max. section 4mm <sup>2</sup>
<b>Surge protection</b>	Pulse withstand ≥ 10kV CM/DM
<b>Control system (options)</b>	F: Fixed power not dimmable. FLC: Constant light flux. DALI: Digital dimming interface DALI.
<b>Optical unit lifetime (Tq=25°C)</b>	>100.000hr L80B10, 1400mA

### MATERIALS

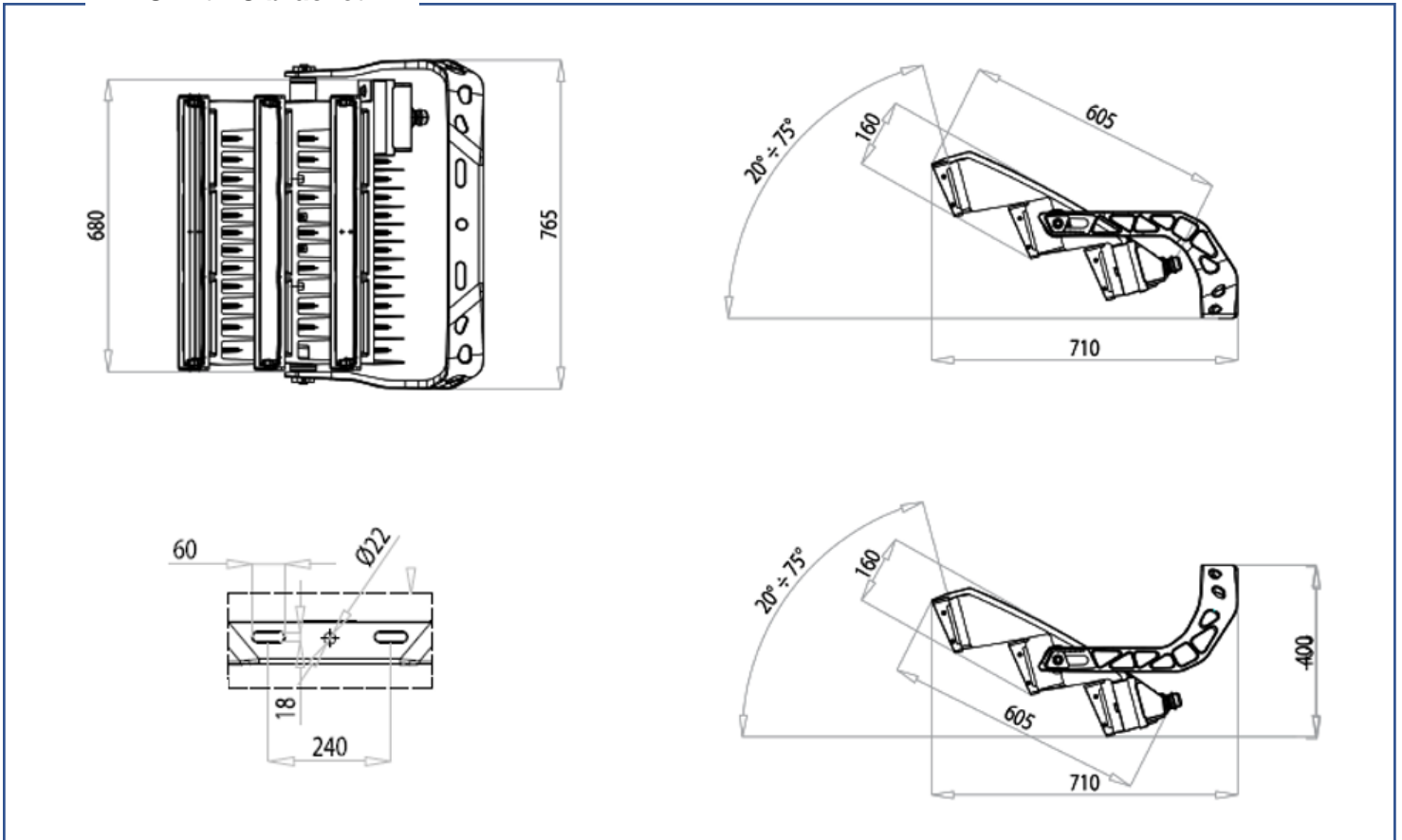
<b>Fixing</b>	Die-cast aluminum UNI EN1706 powder painted.
<b>Body - Heat-sink</b>	Single piece of die-cast aluminium UNI EN1706 powder painted.
<b>Optic</b>	High efficiency metallized polycarbonate.
<b>Screen</b>	Flat tempered glass, 5mm thickness high transparency.
<b>Cable gland</b>	Metallic M25 x 1.5 - IP68
<b>Gasket</b>	Silicone
<b>Color</b>	Matt satin grey RAL 7004 - Cod. 7J

### OPTIONAL

<b>ES</b>	External Shield.
<b>BES</b>	Back External Shield.
<b>Red Dot Sight</b>	Pointer for spot adjustments.
<b>Power supply support</b>	Support for integrated power supply mounting on floodlight (only C bracket version).

**DIMENSIONAL DRAWINGS**

**ALO with C bracket**



**ALO with MICROMØVER**

