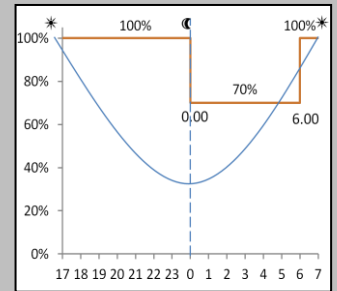


DA Profile

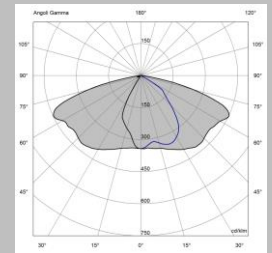
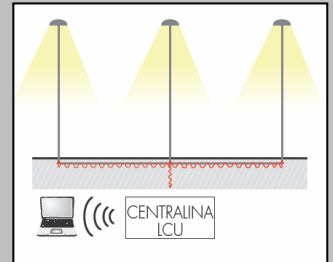


COMPASS 1

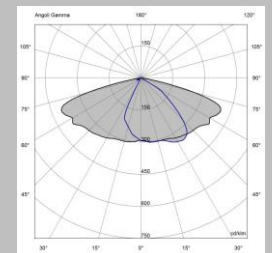
MAIN CHARACTERISTICS

| | |
|--|---|
| Applications | Street and urban lighting. |
| Optic | STU-S: Asymmetrical optic. Narrow emission. STU-M: Asymmetrical optic. Mid emission. STU-W: Asymmetrical optic. Wide emission. TS-S: Symmetrical optic. Narrow emission. TS-M: Symmetrical optic. Mid emission. TS-W: Symmetrical optic. Wide emission. Colour temperature: 4000K (optional 3000K) CRI ≥ 70 Photobiological safety class: EXEMPT GROUP LED source efficiency: 163 lm/W @ 400mA, Tj=85°C – 4000K |
| Insulation class | EU: II, I - US: 1 |
| Protection degree | IP66 IK08 total |
| LED Modules | Removable / Replaceable. |
| Dimensions | See the drawing |
| Weight | max 10.5kg |
| Exposed surface | Side: 0.05m ² – Top: 0.25m ² |
| Mounting | TP/BR: Installation on post top Ø48-60mm - on bracket: Ø42 – 48 – 60mm. Post top inclination: 0°, +5°, +10°, +15°, +20°. Bracket inclination: +5°, 0°, -5°, -10°, -15°, -20°. TP: Installation on post top ø60-76-102 mm. Post top inclination: 0°, +5°, +10°, +15°, +20°. TP-UB: Installation on post top ø60mm. AM: Wall mounting. Inclination: 0°, +5°, +10°, +15°, +20°. S: Suspended installation on bracket 1/2" GAS. TS: Suspended installation on cable ø5-ø12mm. |
| Gear tray | Removable plate. |
| Operating temp. | -40°C / +50°C |
| Storage temperature | -40°C / +80°C |
| Main reference standards | EN 60598-1, EN 60598-2-3, EN 62471, EN 55015, EN 61547, EN 61000-3-2, EN-61000-3-3 |
| | |
| ELECTRICAL CHARACTERISTICS | |
| Rated voltage | 220÷240V 50/60Hz |
| LED current | 400mA, 500mA |
| Power factor | >0,9 (at full load, F, DA, DAC) |
| On-load switch | Included, with integrated cable clamp. |
| Mains connection | For cables max section 4mm ² |
| Surge protection | SPD integrated 10kV-10kA, type II, with LED signal and thermo fuse to disconnect load at the end of life. Pulse withstand: 10kV / 10kV CM / DM. |
| Control system (options) | F: Fixed power not dimmable. DA: Automatic dimming (virtual midnight) with default profile. DAC: Custom DA profile. FLC: Constant light flux. PLM: Power Line single point communication system. WL: Wireless single point communication system. DALI: Digital dimming interface DALI. NEMA: Socket 7 pin (ANSI C136.41). ZHAGA: Socket 4 pin (Book 18). |
| Optical unit lifetime (Tq=25°C) | ≥100.000h L80B10 |
| MATERIALS | |
| Fixing | Die-cast aluminum UNI EN1706 powder painted. |
| Body | |
| Closure hook | |
| Optic | 99.85% aluminum with a surface finish in 99.95% with vacuum-sealed deposition. Aluminum grade class A+ (DIN EN 16268) |
| Screen | Flat tempered glass, 5mm thickness high transparency. |
| Cable gland | Plastic M20x1.5 - IP68 |
| Gasket | Polyurethane |
| Colour | Graphite cod. 01 |

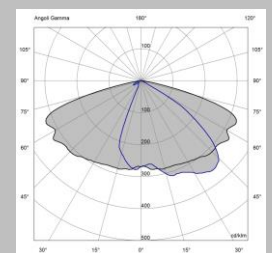
PLM



STU-S Optic



STU-M Optic

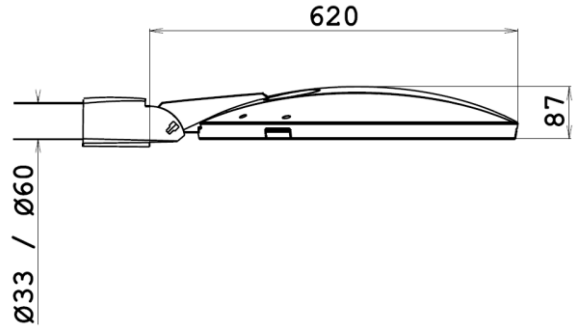
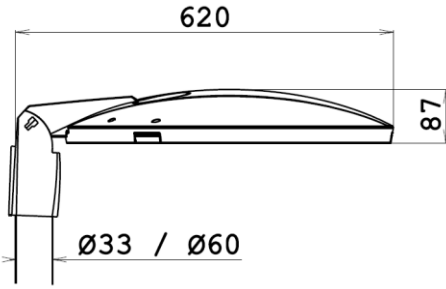


STU-W Optic

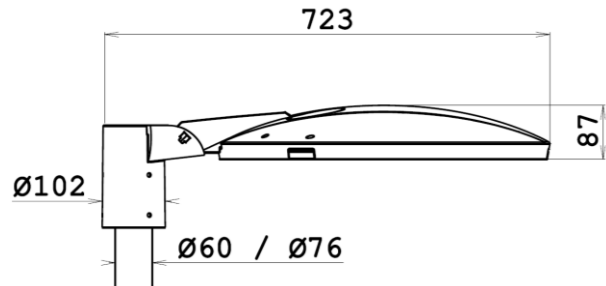
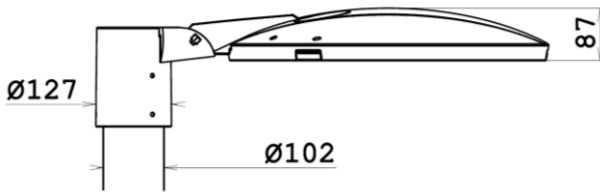
All the published photometrical data has been obtained according to EN 13032-1



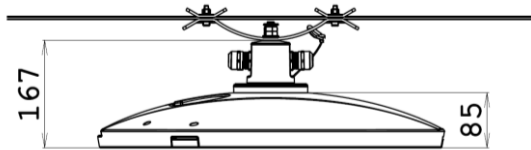
TP-BR



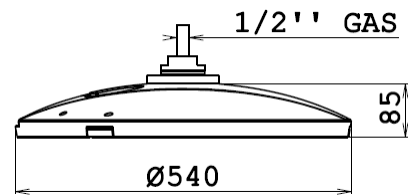
TP



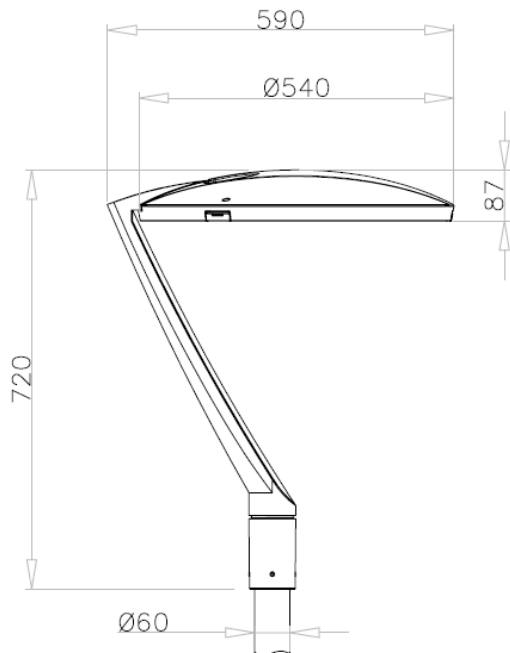
TS



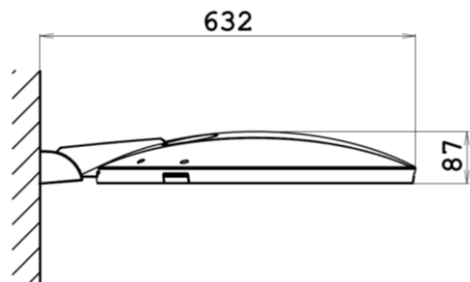
S



TP-UB



AM





| LUMINAIRE | OPTIC | RATED LUMINAIRE FLUX* (Tq=25°C, 4000K, lm) | RATED LUMINAIRE POWER* (Tq=25°C, Vin=230Vac, F/DA/DAC, W) | LUMINAIRE EFFICACY (Tq=25°C, lm/W) | RATED LED FLUX* (Tj=85°C, 4000K, lm) | RATED LED POWER* (Tj=85°C, W) |
|-----------------------|-------------------------|---|--|---------------------------------------|---|----------------------------------|
| COMPASS 1 2W8 4.40-1M | | 2840 | 22 | 129 | 3099 | 19 |
| COMPASS 1 2W8 4.40-2M | STU-M STU-S STU-W | 5660 | 41.5 | 136 | 6198 | 38 |
| COMPASS 1 2W8 4.40-3M | | 8460 | 62 | 136 | 9297 | 57 |
| COMPASS 1 2W8 4.40-4M | | 11210 | 81 | 138 | 12396 | 76 |
| COMPASS 1 2W8 4.50-1M | STU-M STU-S STU-W | 3490 | 28 | 124 | 3803 | 24 |
| COMPASS 1 2W8 4.50-2M | | 6880 | 53 | 129 | 7606 | 48 |
| COMPASS 1 2W8 4.50-3M | | 10200 | 78 | 130 | 11409 | 72 |
| COMPASS 1 2W8 4.50-4M | | 13510 | 104 | 129 | 15212 | 96 |

*RATED LUMINAIRE FLUX / RATED LUMINAIRE POWER: Rated data obtained in laboratory.

*RATED LED FLUX / RATED LED POWER: Rated data extrapolated from LED manufacturer datasheet.

The characteristics of the product listed above are subjected to change without notice.

Values indicated in this technical sheet are to be considered rated values subject to a tolerance of +/-5%.



| LUMINAIRE | OPTIC | RATED LUMINAIRE FLUX* (Tq=25°C, 3000K, lm) | RATED LUMINAIRE POWER* (Tq=25°C, Vin=230Vac, F/DA/DAC, W) | LUMINAIRE EFFICACY (Tq=25°C, lm/W) | RATED LED FLUX* (Tj=85°C, 3000K, lm) | RATED LED POWER* (Tj=85°C, W) |
|-----------------------|-------------------------|---|--|---------------------------------------|---|----------------------------------|
| COMPASS 1 2W8 3.40-1M | | 2640 | 22 | 120 | 2882 | 19 |
| COMPASS 1 2W8 3.40-2M | STU-M STU-S STU-W | 5260 | 41.5 | 126 | 5764 | 38 |
| COMPASS 1 2W8 3.40-3M | | 7870 | 62 | 126 | 8646 | 57 |
| COMPASS 1 2W8 3.40-4M | | 10430 | 81 | 128 | 11528 | 76 |
| COMPASS 1 2W8 3.50-1M | | STU-M STU-S STU-W | 3250 | 28 | 116 | 3538 |
| COMPASS 1 2W8 3.50-2M | 6400 | | 53 | 120 | 7076 | 48 |
| COMPASS 1 2W8 3.50-3M | 9490 | | 78 | 121 | 10614 | 72 |
| COMPASS 1 2W8 3.50-4M | 12560 | | 104 | 120 | 14152 | 96 |

*RATED LUMINAIRE FLUX / RATED LUMINAIRE POWER: Rated data obtained in laboratory.

*RATED LED FLUX / RATED LED POWER: Rated data extrapolated from LED manufacturer datasheet.

The characteristics of the product listed above are subjected to change without notice.

Values indicated in this technical sheet are to be considered rated values subject to a tolerance of +/-5%.



| LUMINAIRE | OPTIC | RATED LUMINAIRE FLUX* (Tq=25°C, 4000K, lm) | RATED LUMINAIRE POWER* (Tq=25°C, Vin=230Vac, F/DA/DAC, W) | LUMINAIRE EFFICACY (Tq=25°C, lm/W) | RATED LED FLUX* (Tj=85°C, 4000K, lm) | RATED LED POWER* (Tj=85°C, W) |
|--------------------------|--------------|---|--|---------------------------------------|---|----------------------------------|
| COMPASS 1 TS 2W8 4.40-2M | TS-M | 5660 | 41.5 | 136 | 6198 | 38 |
| COMPASS 1 TS 2W8 4.40-4M | TS-S TS-W | 11210 | 81 | 138 | 12396 | 76 |
| COMPASS 1 TS 2W8 4.50-2M | TS-M | 6880 | 53 | 129 | 7606 | 48 |
| COMPASS 1 TS 2W8 4.50-4M | TS-S TS-W | 13510 | 104 | 129 | 15212 | 96 |

*RATED LUMINAIRE FLUX / RATED LUMINAIRE POWER: Rated data obtained in laboratory.

*RATED LED FLUX / RATED LED POWER: Rated data extrapolated from LED manufacturer datasheet.

The characteristics of the product listed above are subjected to change without notice.

Values indicated in this technical sheet are to be considered rated values subject to a tolerance of +/-5%.



| LUMINAIRE | OPTIC | RATED LUMINAIRE FLUX* (Tq=25°C, 3000K, lm) | RATED LUMINAIRE POWER* (Tq=25°C, Vin=230Vac, F/DA/DAC, W) | LUMINAIRE EFFICACY (Tq=25°C, lm/W) | RATED LED FLUX* (Tj=85°C, 3000K, lm) | RATED LED POWER* (Tj=85°C, W) |
|--------------------------|--------------|---|--|---------------------------------------|---|----------------------------------|
| COMPASS 1 TS 2W8 3.40-2M | TS-M | 5260 | 41.5 | 126 | 5764 | 38 |
| COMPASS 1 TS 2W8 3.40-4M | TS-S TS-W | 10430 | 81 | 128 | 11528 | 76 |
| COMPASS 1 TS 2W8 3.50-2M | TS-M | 6400 | 53 | 120 | 7076 | 48 |
| COMPASS 1 TS 2W8 3.50-4M | TS-S TS-W | 12560 | 104 | 120 | 14152 | 96 |

*RATED LUMINAIRE FLUX / RATED LUMINAIRE POWER: Rated data obtained in laboratory.

*RATED LED FLUX / RATED LED POWER: Rated data extrapolated from LED manufacturer datasheet.

The characteristics of the product listed above are subjected to change without notice.

Values indicated in this technical sheet are to be considered rated values subject to a tolerance of +/-5%.