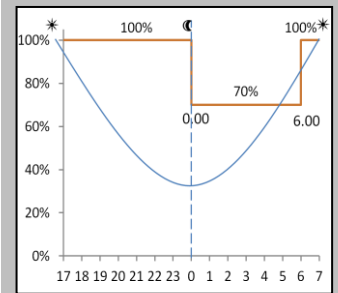
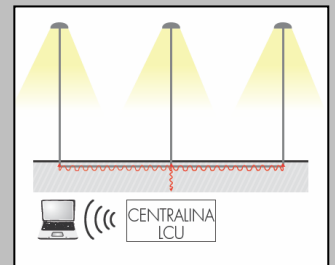


DA Profile



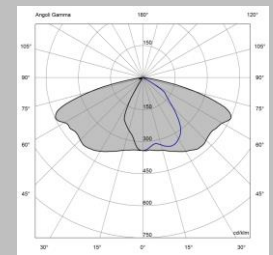
PLM



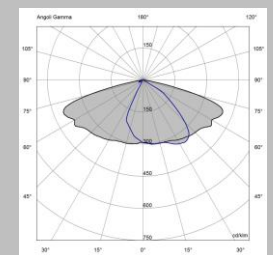
COMPASS 2

MAIN CHARACTERISTICS

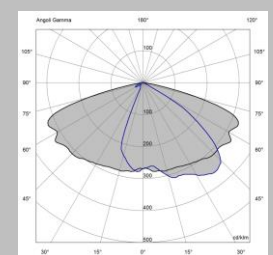
<b>Applications</b>	Street and urban lighting.
<b>Optic</b>	STU-S: Asymmetrical optic. Narrow emission. STU-M: Asymmetrical optic. Mid emission. STU-W: Asymmetrical optic. Wide emission. TS-S: Symmetrical optic. Narrow emission. TS-M: Symmetrical optic. Mid emission. TS-W: Symmetrical optic. Wide emission. Colour temperature: 4000K (optional 3000K)   CRI ≥ 70 Photobiological safety class: EXEMPT GROUP LED source efficiency: 163 lm/W @ 400mA, Tj=85°C – 4000K
<b>Insulation class</b>	EU: II, I - US: 1
<b>Protection degree</b>	IP66   IK08 total
<b>LED Modules</b>	Removable / Replaceable.
<b>Dimensions</b>	See the drawing
<b>Weight</b>	13.5 kg max
<b>Exposed surface</b>	Side: 0.06m <sup>2</sup> – Top: 0.32m <sup>2</sup>
<b>Mounting</b>	TP/BR: Installation on post top Ø48-60mm - on bracket: Ø42 – 48 – 60mm. Post top inclination: 0°, +5°, +10°, +15°, +20°. Bracket inclination: +5°, 0°, -5°, -10°, -15°, -20° TP: Installation on post top Ø60-76-102 mm. Post top inclination: 0°, +5°, +10°, +15°, +20°. AM: Wall mounting. Inclination: 0°, +5°, +10°, +15°, +20°. S: Suspended installation on bracket 1/2" GAS TS: Suspended installation on cable Ø5-Ø12mm
<b>Gear tray</b>	Removable plate.
<b>Operating temp.</b>	-40°C / +50°C
<b>Storage temperature</b>	-40°C / +80°C
<b>Main reference standards</b>	EN 60598-1, EN 60598-2-3, EN 62471, EN 55015, EN 61547, EN 61000-3-2, EN-61000-3-3
<b>ELECTRICAL CHARACTERISTICS</b>	
<b>Rated voltage</b>	220÷240V 50/60Hz
<b>LED current</b>	400mA, 500mA
<b>Power factor</b>	>0,9 (at full load, F, DA, DAC)
<b>On-load switch</b>	Included, with integrated cable clamp.
<b>Mains connection</b>	For cables max section 4mm <sup>2</sup>
<b>Surge protection</b>	SPD integrated 10kV-10kA, type II, with LED signal and thermo fuse to disconnect load at the end of life. Pulse withstand: 10kV / 10kV CM / DM
<b>Control system (options)</b>	F: Fixed power not dimmable. DA: Automatic dimming (virtual midnight) with default profile. DAC: Custom DA profile. FLC: Constant light flux. PLM: Power Line single point communication system. WL: Wireless single point communication system. DALI: Digital dimming interface DALI. NEMA: Socket 7 pin (ANSI C136.41). ZHAGA: Socket 4 pin (Book 18).
<b>Optical unit lifetime (Tq=25°C)</b>	≥100.000h L80B10
<b>MATERIALS</b>	
<b>Fixing</b>	Die-cast aluminum UNI EN1706 powder painted.
<b>Body</b>	
<b>Closure hook</b>	
<b>Optic</b>	99.85% aluminum with a surface finish in 99.95% with vacuum-sealed deposition. Aluminum grade class A+ (DIN EN 16268)
<b>Screen</b>	Flat tempered glass, 5mm thickness high transparency.
<b>Cable gland</b>	Plastic M20x1.5 - IP68
<b>Gasket</b>	Polyurethane
<b>Colour</b>	Graphite cod. 01



STU-S Optic



STU-M Optic

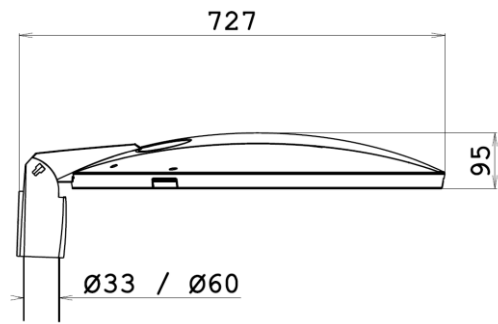
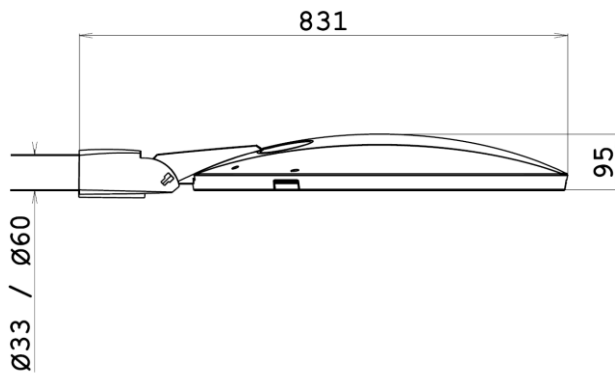


STU-W Optic

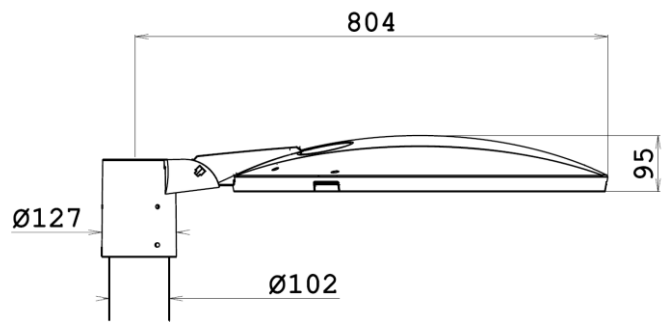
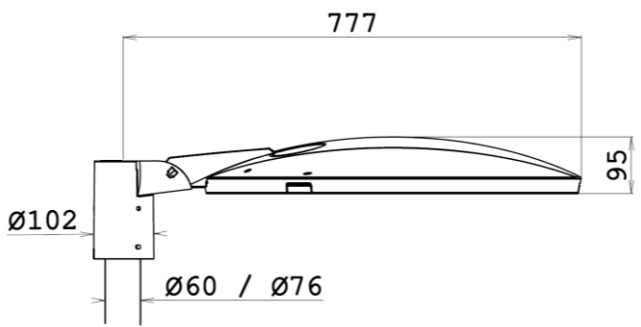
All the published photometrical data has been obtained according to EN 13032-1



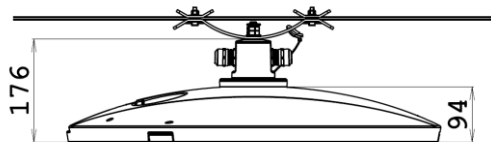
TP-BR



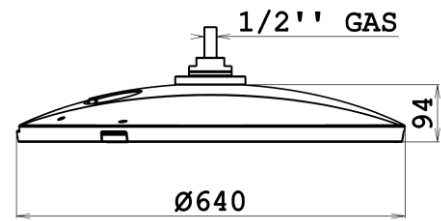
TP



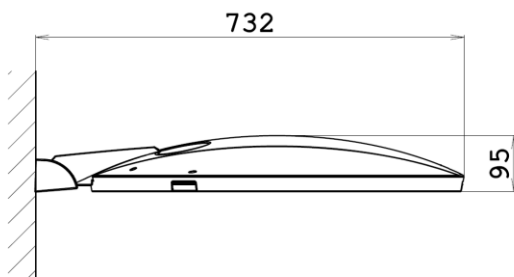
TS



S



AM





LUMINAIRE	OPTIC	RATED LUMINAIRE FLUX* (Tq=25°C, 4000K, lm)	RATED LUMINAIRE POWER* (Tq=25°C, Vin=230Vac, F/DA/DAC, W)	LUMINAIRE EFFICACY (Tq=25°C, lm/W)	RATED LED FLUX* (Tj=85°C, 4000K, lm)	RATED LED POWER* (Tj=85°C, W)
COMPASS 2 2W8 4.40-1M	STU-M STU-S STU-W	2840	22	129	3099	19
COMPASS 2 2W8 4.40-2M		5660	41.5	136	6198	38
COMPASS 2 2W8 4.40-3M		8460	62	136	9297	57
COMPASS 2 2W8 4.40-4M		11210	81	138	12396	76
COMPASS 2 2W8 4.40-5M		13960	100	139	15495	95
COMPASS 2 2W8 4.40-6M		16490	119	138	18594	114
COMPASS 2 2W8 4.50-1M	STU-M STU-S STU-W	3490	28	124	3803	24
COMPASS 2 2W8 4.50-2M		6880	53	129	7606	48
COMPASS 2 2W8 4.50-3M		10200	78	130	11409	72
COMPASS 2 2W8 4.50-4M		13510	104	129	15212	96
COMPASS 2 2W8 4.50-5M		16610	128	129	19015	120
COMPASS 2 2W8 4.50-6M		19590	152	128	22818	144

\*RATED LUMINAIRE FLUX / RATED LUMINAIRE POWER: Rated data obtained in laboratory.

\*RATED LED FLUX / RATED LED POWER: Rated data extrapolated from LED manufacturer datasheet.

The characteristics of the product listed above are subjected to change without notice.

Values indicated in this technical sheet are to be considered rated values subject to a tolerance of +/-5%.



LUMINAIRE	OPTIC	RATED LUMINAIRE FLUX* (Tq=25°C, 3000K, lm)	RATED LUMINAIRE POWER* (Tq=25°C, Vin=230Vac, F/DA/DAC, W)	LUMINAIRE EFFICACY (Tq=25°C, lm/W)	RATED LED FLUX* (Tj=85°C, 3000K, lm)	RATED LED POWER* (Tj=85°C, W)
COMPASS 2 2W8 3.40-1M	STU-M STU-S STU-W	2640	22	120	2882	19
COMPASS 2 2W8 3.40-2M		5260	41.5	126	5764	38
COMPASS 2 2W8 3.40-3M		7870	62	126	8646	57
COMPASS 2 2W8 3.40-4M		10430	81	128	11528	76
COMPASS 2 2W8 3.40-5M		12980	100	129	14410	95
COMPASS 2 2W8 3.40-6M		15340	119	128	17292	114
COMPASS 2 2W8 3.50-1M	STU-M STU-S STU-W	3250	28	116	3538	24
COMPASS 2 2W8 3.50-2M		6400	53	120	7076	48
COMPASS 2 2W8 3.50-3M		9490	78	121	10614	72
COMPASS 2 2W8 3.50-4M		12560	104	120	14152	96
COMPASS 2 2W8 3.50-5M		15450	128	120	17690	120
COMPASS 2 2W8 3.50-6M		18220	152	119	21228	144

\*RATED LUMINAIRE FLUX / RATED LUMINAIRE POWER: Rated data obtained in laboratory.

\*RATED LED FLUX / RATED LED POWER: Rated data extrapolated from LED manufacturer datasheet.

The characteristics of the product listed above are subjected to change without notice.

Values indicated in this technical sheet are to be considered rated values subject to a tolerance of +/-5%.



LUMINAIRE	OPTIC	RATED LUMINAIRE FLUX* (Tq=25°C, 4000K, lm)	RATED LUMINAIRE POWER* (Tq=25°C, Vin=230Vac, F/DA/DAC, W)	LUMINAIRE EFFICACY (Tq=25°C, lm/W)	RATED LED FLUX* (Tj=85°C, 4000K, lm)	RATED LED POWER* (Tj=85°C, W)
COMPASS 2 TS 2W8 4.40-2M	TS-M TS-S TS-W	5660	41.5	136	6198	38
COMPASS 2 TS 2W8 4.40-4M		11210	81	138	12396	76
COMPASS 2 TS 2W8 4.40-6M		16490	119	138	18594	114
COMPASS 2 TS 2W8 4.50-2M	TS-M TS-S TS-W	6880	53	129	7606	48
COMPASS 2 TS 2W8 4.50-4M		13510	104	129	15212	96
COMPASS 2 TS 2W8 4.50-6M		19590	152	128	22818	144

\*RATED LUMINAIRE FLUX / RATED LUMINAIRE POWER: Rated data obtained in laboratory.

\*RATED LED FLUX / RATED LED POWER: Rated data extrapolated from LED manufacturer datasheet.

The characteristics of the product listed above are subjected to change without notice.

Values indicated in this technical sheet are to be considered rated values subject to a tolerance of +/-5%.



LUMINAIRE	OPTIC	RATED LUMINAIRE FLUX* (Tq=25°C, 3000K, lm)	RATED LUMINAIRE POWER* (Tq=25°C, Vin=230Vac, F/DA/DAC, W)	LUMINAIRE EFFICACY (Tq=25°C, lm/W)	RATED LED FLUX* (Tj=85°C, 3000K, lm)	RATED LED POWER* (Tj=85°C, W)
COMPASS 2 TS 2W8 3.40-2M	TS-M TS-S TS-W	5260	41.5	126	5764	38
COMPASS 2 TS 2W8 3.40-4M		10430	81	128	11528	76
COMPASS 2 TS 2W8 3.40-6M		15340	119	128	17292	114
COMPASS 2 TS 2W8 3.50-2M	TS-M TS-S TS-W	6400	53	120	7076	48
COMPASS 2 TS 2W8 3.50-4M		12560	104	120	14152	96
COMPASS 2 TS 2W8 3.50-6M		18220	152	119	21228	144

\*RATED LUMINAIRE FLUX / RATED LUMINAIRE POWER: Rated data obtained in laboratory.

\*RATED LED FLUX / RATED LED POWER: Rated data extrapolated from LED manufacturer datasheet.

The characteristics of the product listed above are subjected to change without notice.

Values indicated in this technical sheet are to be considered rated values subject to a tolerance of +/-5%.