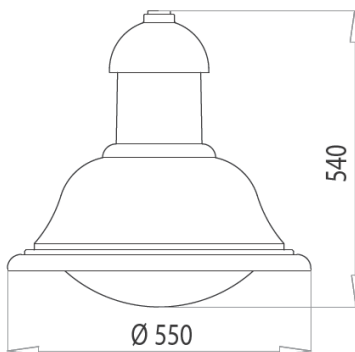


LL35





LR55

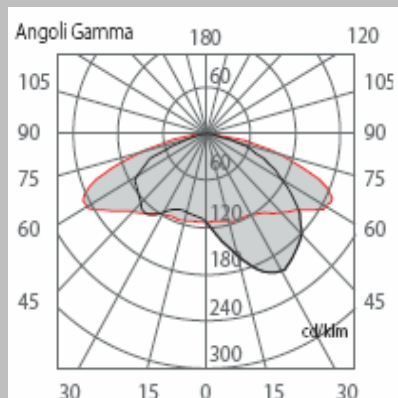


LL35 / LR55 HID			
POWER	LAMP	LAMP HOLDER	OPTIC
70 W	SHP-T	E27	ST-OC
100 W	SHP-T	E40	ST-OC
150 W	SHP-T	E40	ST-OC
250 W	SHP-T	E40	ST
POWER	LAMP	LAMP HOLDER	OPTIC
70 W	MHL-E	E27	ST-OC
100 W	MHL-E	E27	ST-OC
150 W	MHL-E	E27	ST-OC
POWER	LAMP	LAMP HOLDER	OPTIC
60 W	CFO-TW*	PGZ12	ST-OC
90 W	CFO-TW*	PGZ12	ST-OC
140 W	CFO-TW*	PGZ12	ST-OC
POWER	LAMP	LAMP HOLDER	OPTIC
70 W	CDO-TT	E27	ST-OC
100 W	CDO-TT	E40	ST-OC
150 W	CDO-TT	E41	ST-OC
250 W	CDO-TT	E40	ST
POWER	LAMP	LAMP HOLDER	OPTIC
70 W	CDM-T	G12	ST-OC
100 W	CDM-T	G12	ST-OC
150 W	CDM-T	G12	ST-OC
250 W	CDM-T	G12	ST
POWER	LAMP	LAMP HOLDER	OPTIC
150 W	SHP-TS	RX-7S	OP
250 W	SHP-TS	FC2	OP
POWER	LAMP	LAMP HOLDER	OPTIC
150 W	MHL-TS	RX-7S	OP
250 W	MHL-TS	FC2	OP

*Only available with electronic ballast.

LL35 / LR55 HID	
MAIN CHARACTERISTICS	
Applications	Street and urban lighting
Optical unit	ST: Asymmetrical optic for street lighting. OC: Asymmetrical optic for pedestrian and cycle path lighting OP: Asymmetrical optic for pedestrian crossing lighting. Photometrical classification : Cut-off
Insulation class	II (I optional)
Protection degree	IP66
Tilt angle	0°
Mounting	On brackets RL 1/2" GAS
Gear tray	Removable
Dimensions	LR55: Ø550x540mm LL35: Ø600x720mm
Weight	LR55: 10÷13 kg LL35: 11÷14 kg
Side surface	LR55: 0.14 m ² LL35: 0.18 m ²
Top surface	LR55: 0.23 m ² LL35: 0.88 m ²
Main reference standards	EN 60598-1, EN 60598-2-3, EN 62471, EN 55015, EN 61547, EN 61000-3-2, EN 61000-3-3
 	
ELECTRICAL CHARACTERISTICS	
Rated voltage	230V 50Hz Electromagnetic ballast EEI=A3
Power factor	>0,9
Ignitor	Superimposed pulse With timer (on request)
Control system	F: Fixed output. DA: Automatic dimming with default profile. DAC: Custom DA profile. PLM: Single point communication module.
On-load switch	Automatic, included for class II
Connection	For cables max section 4mm ²
MATERIALS	
Fixing	Die-cast aluminium UNI EN 1706
Body	Aluminium
Closure	Stainless steel screw
Optic	99.85% Aluminium, anodized and polished
Lamp holder	Ceramic
Screen	PMMA bowl VP: Flat tempered glass 4mm
Gasket	EPDM
Cable gland	Plastic M20x1.5mm – IP68
Colour	Graphite (Cod. 01)

The characteristics of the product listed above are subjected to change.
They will be confirmed in case of order



ST Optic

All photometric data have been detected in compliance to the standards UNI EN 13032-1